



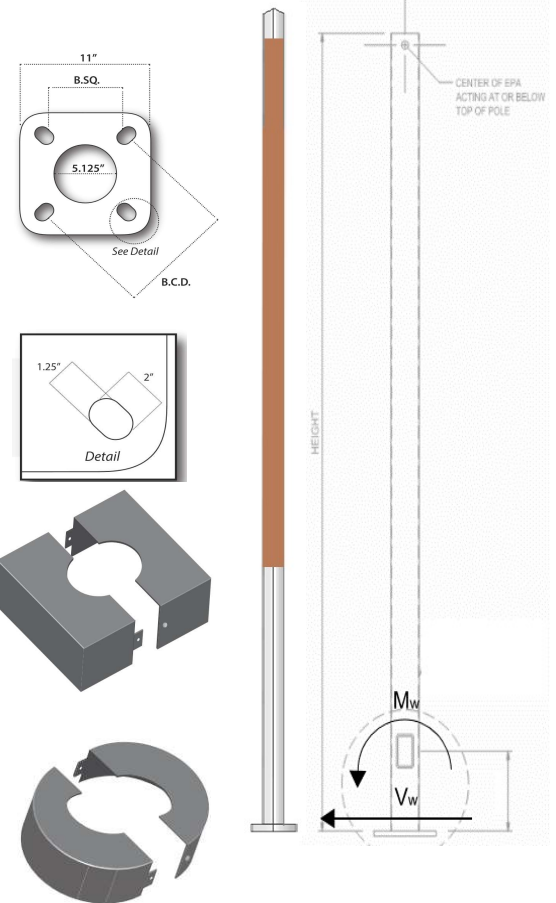
| Catalogue No | Pole Ht (ft) | Steel Wall Thickness | Pole Type | B.C.D. (mm) | Anchor Bolt Sz | EPA (SQ FT) Based on Centre Fixture Below Top of Pole | | | | Design Loads at Base of Pole | |
|--------------|--------------|----------------------|------------|-------------|----------------|---|--------|---------|---------|------------------------------|-----------------|
| | | | | | | 80 MPH | 90 MPH | 100 MPH | 110 MPH | Design Vw (kN) | Design Mw (kNm) |
| QPWR08 | 8 | 0.188 | Wood/Steel | 235.0-273.0 | 1"X36" | 9.8 | 7.4 | 5.6 | 4.3 | 1.5 | 3.7 |
| QPWR10 | 10 | 0.188 | Wood/Steel | 235.0-273.0 | 1"X36" | 7.0 | 5.1 | 3.7 | 2.7 | 1.2 | 3.7 |
| QPWR12 | 12 | 0.188 | Wood/Steel | 235.0-273.0 | 1"X36" | 5.0 | 3.4 | 2.3 | 1.4 | 1.0 | 3.7 |
| QPWR14 | 14 | 0.188 | Wood/Steel | 235.0-273.0 | 1"X36" | 3.5 | 2.1 | 1.1 | 0.4 | 0.9 | 3.7 |
| QPWR16 | 16 | 0.188 | Wood/Steel | 235.0-273.0 | 1"X36" | 2.2 | 1.0 | 0.2 | N/A | 0.8 | 3.7 |
| QPWR18 | 18 | 0.188 | Wood/Steel | 235.0-273.0 | 1"X36" | 1.1 | 0.1 | N/A | N/A | 0.7 | 3.7 |

Engineering Data

Max. EPA - Based on centre of fixture below pole top. Inquire with Sales Rep. for further EPA data. Based on sustained wind forces with a 1.3 gust factor

(Example: A pole rated at 80 mph withstands 104 mph gusts)

| ORDER ENTRY OPTIONS | | | |
|--|----------------------|----------------------|----------------------------------|
| Top Tenon | Mounting Side Tenon | Drill Pattern | Finish Power Coated (PC) |
| TT238 2-3/8"x5" | ST1 Single Mount | DP1 Single Head | QPPCBLK - Black |
| TT278 2-7/8"x5" | ST2180 2 Heads @180 | DP2180 2 Heads @ 180 | QPPCDBZ - Dark Bronze |
| TT350 3-1/2"x5" | ST290 2 Heads @ 90 | DP290 2 Heads @ 90 | QPPCGRN - Green |
| TT400 4"x5" | ST390 3 Heads @ 90 | DP390 3 Heads @ 90 | QPPCGRY - Grey |
| | ST3120 3 Heads @ 120 | DP3120 3 Heads @ 120 | QPPCWHT - White |
| | ST490 4 Heads @ 90 | DP490 4 Heads @ 90 | QPPCCC - Custom Colour (Inquire) |
| <i>PLEASE INQUIRE ABOUT GALVANIZED OPTIONS</i> | | | |
| Mounting | Side Tenon | Drill Pattern | Finish |
| TT | ST | DP | QPPC |



NOTE: PLEASE INQUIRE ABOUT ADDITIONAL POLE HEIGHTS NOT LISTED ABOVE

| ADD-ONS |
|---|
| QPDR - Duplex Receptacle 1110R Box |
| QPSTA - Special Tenon Adapter |
| QPTP - Tamper Proof Hardware |
| HHSS - Hand Hole Security Cover (Locking) |
| STANDARD SQUARE BASE COVER - 2 Piece Base cover |
| STANDARD ROUND BASE COVER - 2 Piece Base cover |
| <u>OTHER OPTIONS AVAILABLE. PLEASE INQUIRE</u> |

| ORDER INFORMATION |
|---------------------|
| Catalogue No: |
| Project: |
| Prepared by: |
| Type: |
| Date: |
| Comments: |
| FIXTURE INFORMATION |
| Quantity: |
| EPA (sq.ft.): |
| Weight (lbs): |

SALES @ QUALITYPOLE.CA
 QUALITY . SERVICE . EXPERIENCE . AT ALL TIMES .