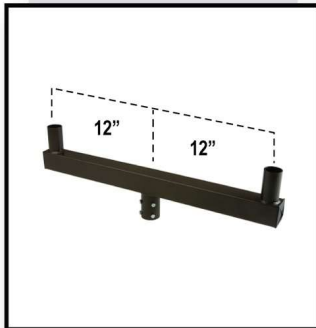




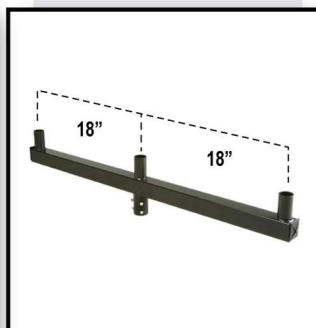
QUALITY POLE - Square Bullhorns

Catalogue No	Description	Weight (lbs)	EPA (Sq/ft)	Details
QP2180-24SBH	Bullhorn, 2 Tenons	14	1.21	<p>Centre Hub: 2.875" OD x 0.203 wall with a min. yield strength of 46,000 psi.</p> <p>Standard hub fits 2.375" OD x 4" pole/tenon top. Please Inquire about additional sizes.</p> <p>Arms: Arms are 3" x 3" x 0.125 wall with a min. yield strength of 46,000 psi.</p> <p>Arm Attachment: 4" H x 2.375" OD x 0.154 wall</p> <p>Connection allows arms to be erected and held in place by gravity and secured by bolts</p> <p>Hardware: All structural fasteners are galvanized high strength carbon steel. All non-structural fasteners are galvanized or zinc-plated carbon steel.</p> <p>Available in Galvanized or Powder Coating Finish. Please inquire.</p>
QP2180-36SBH	Bullhorn, 2 Tenons	19	1.62	
QP3180-36SBH	Bullhorn, 3 Tenons	21	1.76	
QP3180-60SBH	Bullhorn, 3 Tenons	30	2.6	
QP390-54SBH	Bullhorn, 3 Tenons @ 90	27	1.77	
QP3120-54SBH	Bullhorn, 3 Tenons @ 120	27	2.0	
QP490-72SBH	Bullhorn, 4 Tenons @ 90	35	1.77	
QP4180-54SBH	Bullhorn, 4 Tenons	29	2.52	

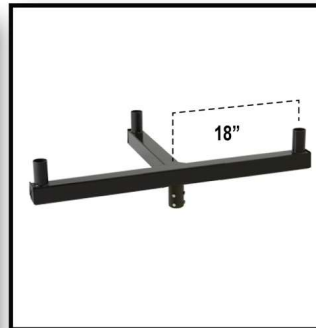
QP2180-24SBH



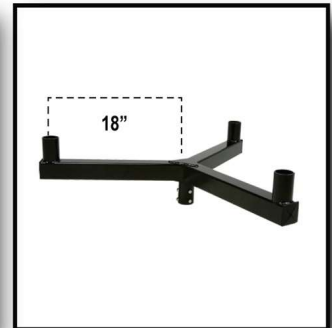
QP3180-36SBH



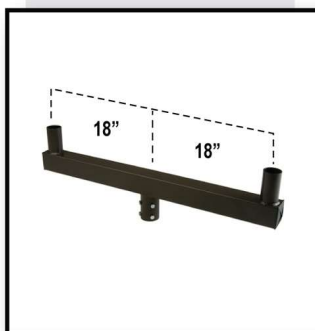
QP390-54SBH



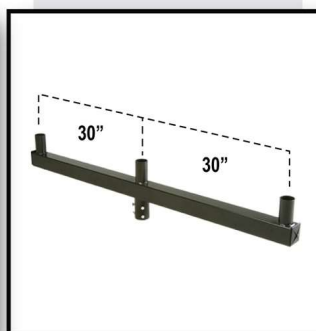
QP3120-54SBH



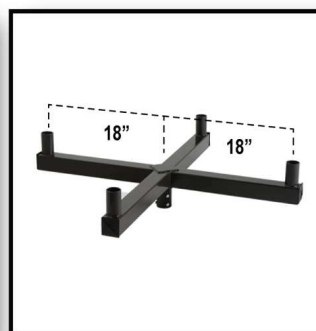
QP2180-36SBH



QP3180-60SBH



QP490-72SBH



QP4180-54SBH

