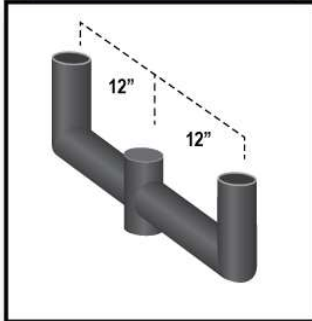




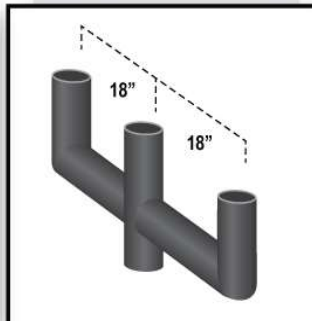
QUALITY POLE - Round Bullhorns

Catalogue No	Description	Weight (lbs)	EPA (Sq/ft)	Details
QP2180-24RBH	Bullhorn, 2 Tenons	18	0.7	<p>Centre Hub: 2.875" OD x 0.203 wall with a min. yield strength of 46,000 psi.</p> <p>Standard hub fits 2.375" OD x 4" pole/tenon top. Please Inquire about additional sizes.</p> <p>Arms: Arms are 2.375" OD x 0.154 wall with a min. yield strength of 46,000 psi.</p> <p>Arm Attachment: Connection allows arms to be erected and held in place by gravity and secured by a single bolt</p> <p>Hardware: All structural fasteners are galvanized high strength carbon steel. All non-structural fasteners are galvanized or zinc-plated carbon steel.</p> <p>Available in Galvanized or Powder Coating Finish. Please inquire.</p>
QP2180-36RBH	Bullhorn, 2 Tenons	20	0.94	
QP3180-36RBH	Bullhorn, 3 Tenons	25	1.01	
QP3180-60RBH	Bullhorn, 3 Tenons	28	1.5	
QP390-54RBH	Bullhorn, 3 Tenons @ 90	28	1.03	
QP3120-54RBH	Bullhorn, 3 Tenons @ 120	28	0.98	
QP490-72RBH	Bullhorn, 4 Tenons @ 90	35	1.03	
QP4180-54RBH	Bullhorn, 4 Tenons	34	1.5	

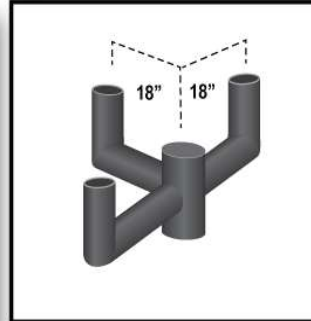
QP2180-24RBH



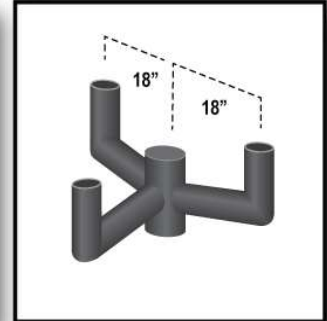
QP3180-36RBH



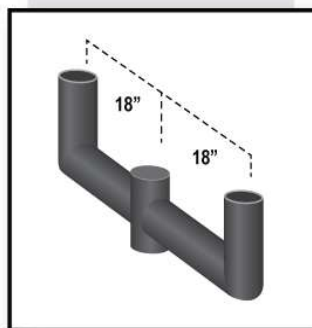
QP390-54RBH



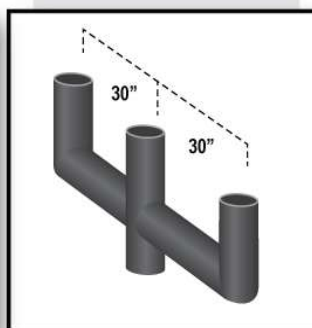
QP3120-54RBH



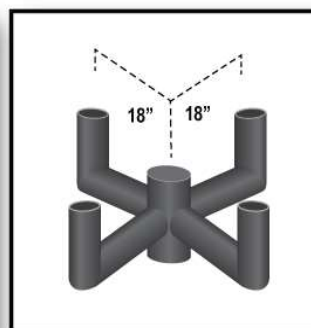
QP2180-36RBH



QP3180-60RBH



QP490-72RBH



QP4180-54RBH

