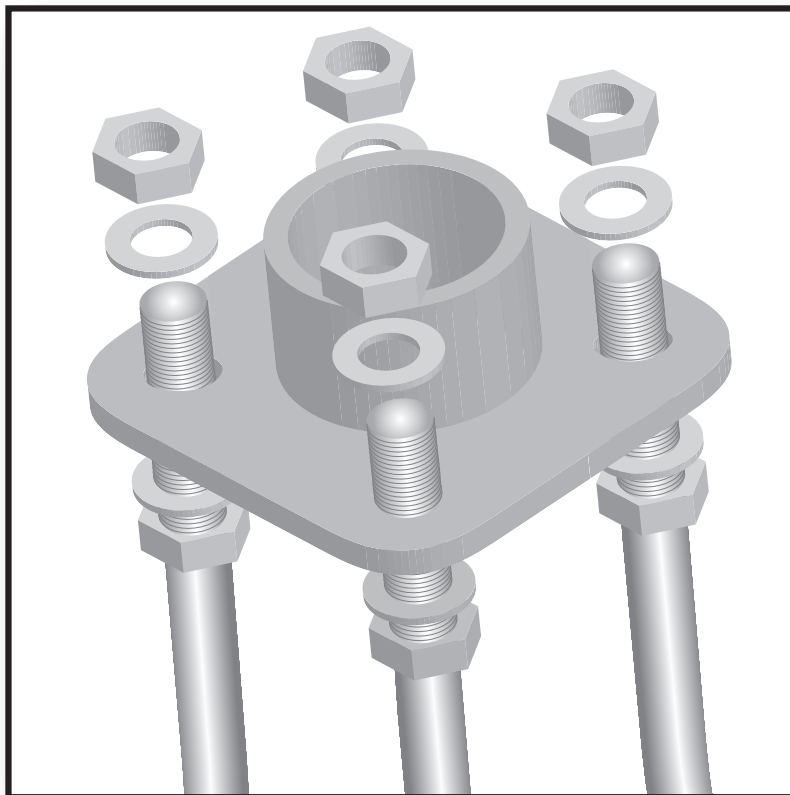




## Installation Guide

- Install the anchor bolts using template, with conduit through the centre
- After curing, place the leveling nuts on the anchor bolts and install the washers. Screw to the bottom
- Use a level to adjust the nuts to the same height
- Lower the pole onto the anchors using nylon slings, not chains
- Install washers on the top of the baseplate
- Install nuts and tighten them to the correct ft/lbs
- Level the pole and install the base cover



\*Installation Guide instructions and illustration provided is for reference only. Quality Pole Inc. assumes no liability whatsoever, neither expressed or implied with regards to pole installation.

SALES@QUALITYPOLE.CA

QUALITY. SERVICE. EXPERIENCE. AT ALL TIMES.